



February 2008
HPR0022

**Not what
you're
looking
for ...?
Try our
Betafit
Element
Selector.**

[click here](#)

Betafit® to Replace Donaldson Duramax®*!



List Pricing for these and other Betafit Elements can be found in the distributor section on our website.

HYDAC is pleased to announce the release of the NEW Betafit element series equivalent in form, fit and function to the **Donaldson Duramax®** line.

These Betafits are available with either fiberglass or cellulose media, for use in a wide range of applications. As always, these elements are priced competitively to capture the aftermarket business. Below is the current Donaldson Duramax® Betafit interchange chart:

HMK 05

Donaldson Part No.	HYDAC Part No.	HYDAC Model Code
P165569	02088470	9.05.12MA20BN

HMK 04

Donaldson Part No.	HYDAC Part No.	HYDAC Model Code
P165332	02088459	9.04.10MA05BN
P163323	02088466	9.04.10MA20P
P163324	02088466	9.04.10MA20P
P163425	02088466	9.04.10MA20P
P163405	02088455	9.04.06MA20P
P163428	02088455	9.04.06MA20P
P163496	02088455	9.04.06MA20P

Technical Details

Temperature Range

Paper (P)	-20° to 225°F (-29° to 107°C)
Fiberglass (BN)	-20° to 250°F (-29° to 121°C)

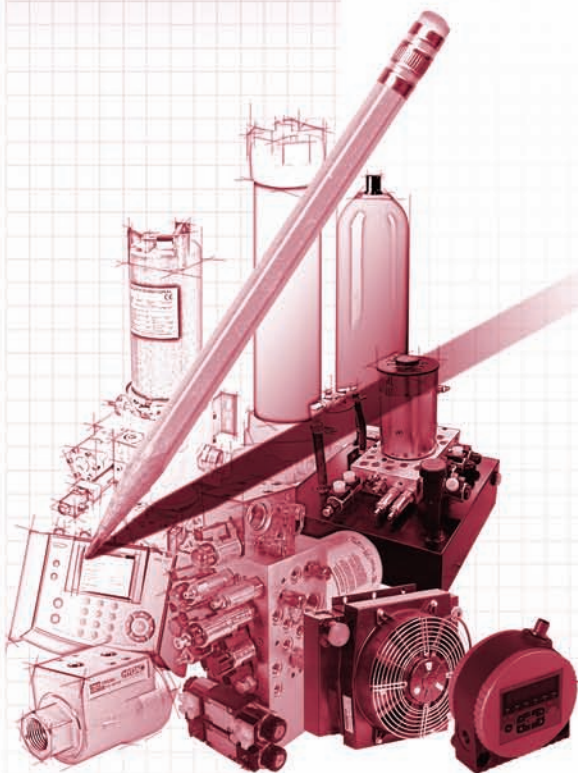
Element Pressure Rating

	4 inch	5 inch
Min. Collapse Rating	150 psi	200 psi
Max. Pressure Rating	500 psi	350 psi
Burst Pressure	1000 psi	800 psi

Dimensions

HYDAC Model Code	OD inches	Length inches
9.05.12MA20BN	4.75	11.5
9.04.10MA05BN	3.75	9.5
9.04.10MA20P	3.75	9.5
9.04.06MA20P	3.75	6.0

*Duramax is a registered trademark of Donaldson.



www.hydacusa.com

1.877.GO.HYDAC