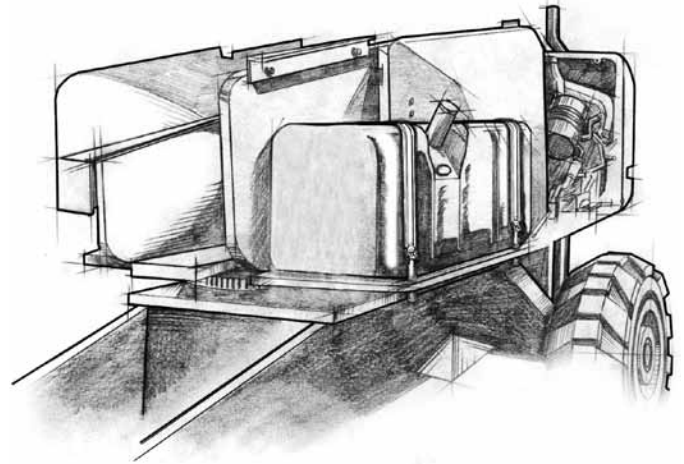


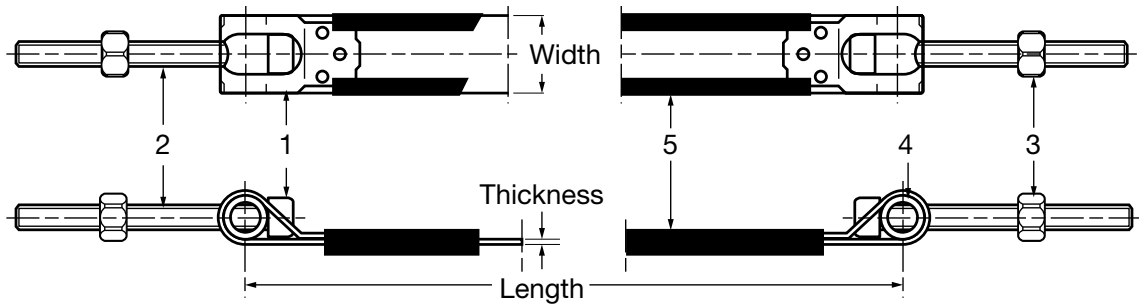
Band Straps

Description

For OEM's requiring mounting solutions to secure non-cylindrical objects such as plastic fuel tanks, HYDAC offers steel band straps.

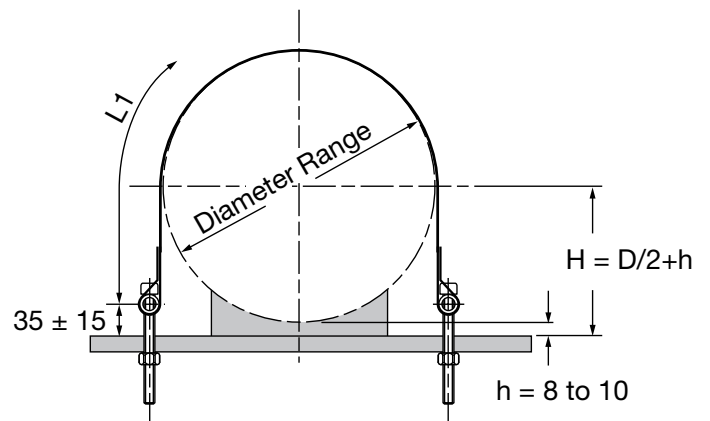


Item	Description/Material
1	Clamping Band, Stainless Steel
2	Metric Zinc-Plated Steel Socket Head Bolts (Note: other bolt and connection styles are available based on customer's specifications)
3	Nuts, Zinc Plated Steel
4	Swivel Sleeve, Zinc Plated Steel
5	Rubber Profile



Dimensions

	Width x Thickness	Length Range (L1)
Light Range	25 x 1	187 - 921 mm
Heavy Range	30 X 1	232 - 1511 mm
Heavy II Range	30 X 1.5	232 - 1511 mm



Ordering

Band Straps are a custom product which must be quoted on an individual project basis. Band Straps are available with various lengths, widths, connecting hardware, and with or without rubber profiles. Contact **HYDAC** at **1-877-GO HYDAC** with your specifications to request a quotation.