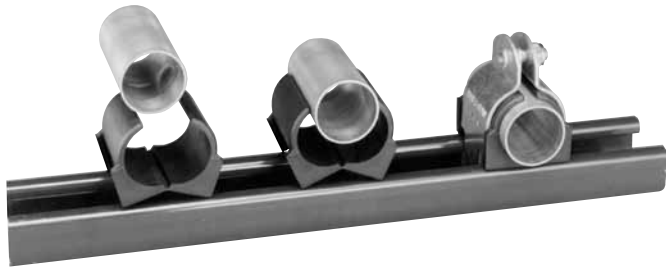
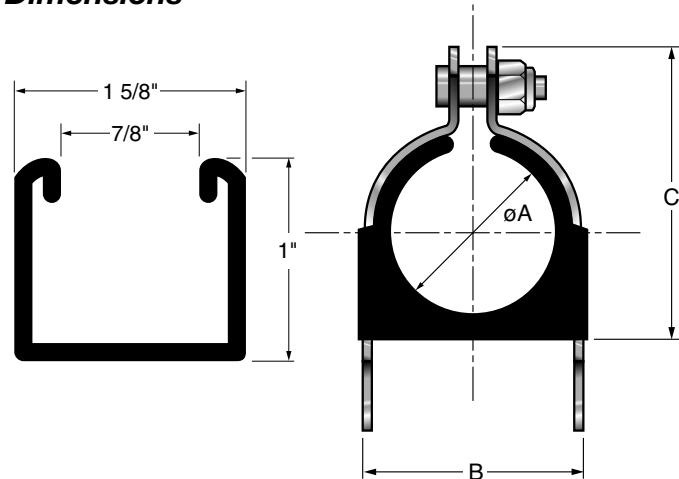


CUSH Series Cushion Clamps



Dimensions



Description

Cushion clamps are ideal for multiple line runs, while absorbing shock and vibration, reducing unwanted noise and preventing galvanic corrosion.

Features

- Distortion free clamping
- Shock and vibration reduction
- Elimination of rotation
- Retrofit without disassembly
- Easy installation
- Control squeeze shoulder bolt prevents over tightening of the clamp assembly, preventing the possibility of crushing the tube.
- Fits standard 1-5/8" wide mounting rail

Materials

- Clamp - carbon steel (with electrochromate finish)
- Cushion - thermoplastic elastomer
- Cushion material withstands the effect of most oils, chemicals and industrial cleaning solvents at temperatures -40° to 275°F.

Mounting Rail

- **Part Number:** 02073325
- **Model Code:** Cush Rail 1" x 4' Galvanized
- **Material:** Low gauge carbon steel
- **Finish:** Galvanized
- **Length:** 4'

Model Code	Application		Nom. Pipe Size in.	Dimensions			Part No.
	Copper & Steel Tubing in.	Copper Water Pipe (nom.) in.		ϕA in.	B in.	C in.	
CUSH 1/4T	1/4			0.25	0.62	0.98	02073330
CUSH 3/8T	3/8	1/4		0.37	0.82	1.13	02073331
CUSH 1/2T	1/2	3/8		0.50	0.94	1.34	02073332
CUSH 1/4P			1/4	0.54	0.98	1.34	02073361
CUSH 5/8T	5/8	1/2		0.62	1.06	1.54	02073333
CUSH 3/8P			3/8	0.67	1.13	1.54	02073362
CUSH 3/4T	3/4	5/8		0.75	1.20	1.68	02073334
CUSH 1/2P			1/2	0.84	1.29	1.82	02073363
CUSH 7/8T	7/8	3/4		0.87	1.31	1.82	02073335
CUSH 1T	1			1.00	1.44	1.95	02073336
CUSH 3/4P			3/4	1.05	1.50	1.95	02073364
CUSH 1-1/8T	1 1/8	1		1.12	1.57	2.08	02073337
CUSH 1-1/4T	1 1/4			1.25	1.70	2.21	02073338
CUSH 1P			1	1.31	1.76	2.34	02073365
CUSH 1-3/8T	1 3/8	1 1/4		1.37	1.82	2.34	02073339
CUSH 1-1/2T	1 1/2			1.50	1.95	2.47	02073340
CUSH 1-5/8T	1 5/8	1 1/2		1.62	2.07	2.60	02073341
CUSH 1-1/4P			1 1/4	1.66	2.17	2.73	02073366
CUSH 1-3/4T	1 3/4			1.75	2.20	2.73	02073342
CUSH 1-7/8T	1 7/8			1.87	2.32	2.86	02073343
CUSH 1-1/2P			1 1/2	1.90	2.35	2.86	02073367
CUSH 2T	2			2.00	2.45	3.04	02073344
CUSH 2-1/8T	2 1/8			2.12	2.57	3.23	02073345
CUSH 2-3/8T	2 3/8			2.37	2.82	3.67	02073346
CUSH 2P			2	2.37	2.82	3.67	02073368
CUSH 2-5/8T	2 5/8			2.62	3.07	3.92	02073348
CUSH 2-1/2P			2 1/2	2.87	3.32	4.17	02073369
CUSH 3-1/8T	3 1/8			3.12	3.57	4.42	02073351
CUSH 3P			3	3.50	3.95	4.79	02073370
CUSH 4P			4	4.50	4.95	5.95	02073372
CUSH 5P			5	5.56	6.01	6.92	02073373
CUSH 6P			6	6.62	7.07	8.23	02073374

Tube Series: T = with Controlled Squeeze Shoulder Bolt (sizes 1 3/8" and smaller)

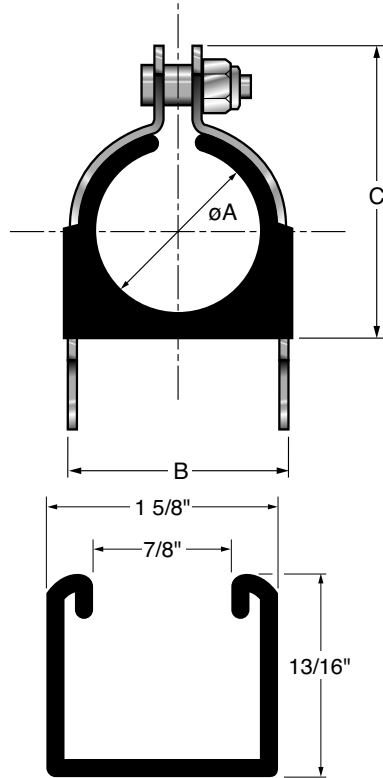
Pipe Series: P = without Controlled Squeeze Bolt

Dimensions are for general information only, all critical dimensions should be verified by requesting a certified print. Dimensions are in inches/(mm) and lbs/(kg)

Model Codes containing selections listed in RED italics are non-standard items – Minimum quantities will apply – Contact HYDAC for information and availability

Not all combinations are available

Dimensions



Materials

- Clamp - Stainless steel 304
- Cushion - thermoplastic elastomer

Mounting Rail

- **Model Code:** Cush Rail 13/16" x 10' A2
- **Part Number:** 02701588
- **Material:** Stainless steel 304
- **Length:** 10'0"

Model Code	Part No.	Size	A	B	C
<i>CUSH 1/4T A2</i>	02080701	<i>1/4"</i>	<i>0.25"</i>	<i>0.62"</i>	<i>0.98"</i>
<i>CUSH 3/8T A2</i>	02080702	<i>3/8"</i>	<i>0.37"</i>	<i>0.82"</i>	<i>1.13"</i>
CUSH 1/2T A2	02080703	1/2"	0.50"	0.94"	1.34"
CUSH 5/8T A2	02080704	5/8"	0.62"	1.06"	1.54"
CUSH 3/4T A2	02080705	3/4"	0.75"	1.20"	1.68"
<i>CUSH 7/8T A2</i>	02080706	<i>7/8"</i>	<i>0.87"</i>	<i>1.31"</i>	<i>1.82"</i>
<i>CUSH 1T A2</i>	02080707	<i>1"</i>	<i>1.00"</i>	<i>1.44"</i>	<i>1.95"</i>
CUSH 1 1/8T A2	02080708	1 1/8"	1.12"	1.57"	2.08"
<i>CUSH 1 1/4T A2</i>	02080709	<i>1 1/4"</i>	<i>1.25"</i>	<i>1.70"</i>	<i>2.21"</i>
<i>CUSH 1 3/8T A2</i>	02080710	<i>1 3/8"</i>	<i>1.37"</i>	<i>1.82"</i>	<i>2.34"</i>
<i>CUSH 1 1/2T A2</i>	02080711	<i>1 1/2"</i>	<i>1.50"</i>	<i>1.95"</i>	<i>2.47"</i>
<i>CUSH 1 5/8T A2</i>	02080712	<i>1 5/8"</i>	<i>1.62"</i>	<i>2.07"</i>	<i>2.60"</i>
<i>CUSH 1 3/4T A2</i>	02080713	<i>1 3/4"</i>	<i>1.75"</i>	<i>2.20"</i>	<i>2.73"</i>
<i>CUSH 1 7/8T A2</i>	02080714	<i>1 7/8"</i>	<i>1.87"</i>	<i>2.32"</i>	<i>2.86"</i>
CUSH 2T A2	02080715	2"	2.00"	2.45"	3.04"
<i>CUSH 2 1/8T A2</i>	02080716	<i>2 1/8"</i>	<i>2.12"</i>	<i>2.57"</i>	<i>3.23"</i>
<i>CUSH 2 1/4T A2</i>	02080717	<i>2 1/4"</i>	<i>2.37"</i>	<i>2.82"</i>	<i>3.67"</i>
<i>CUSH 2 3/8T A2</i>	02080718	<i>2 3/8"</i>	<i>2.37"</i>	<i>2.82"</i>	<i>3.67"</i>
<i>CUSH 2 1/2T A2</i>	02080719	<i>2 1/2"</i>	<i>2.50"</i>	<i>2.94"</i>	<i>3.79"</i>
<i>CUSH 2 5/8T A2</i>	02080720	<i>2 5/8"</i>	<i>2.62"</i>	<i>3.07"</i>	<i>3.92"</i>
<i>CUSH 2 7/8T A2</i>	02080721	<i>2 7/8"</i>	<i>2.87"</i>	<i>3.32"</i>	<i>4.17"</i>
<i>CUSH 3T A2</i>	02080722	<i>3"</i>	<i>3.00"</i>	<i>3.57"</i>	<i>4.42"</i>
<i>CUSH 3 1/8T A2</i>	02080723	<i>3 1/8"</i>	<i>3.12"</i>	<i>3.57"</i>	<i>4.42"</i>
<i>CUSH 3 5/16T A2</i>	02080724	<i>3 5/16"</i>	<i>3.31"</i>	<i>3.96"</i>	<i>4.75"</i>
<i>CUSH 3 1/2T A2</i>	02080725	<i>3 1/2"</i>	<i>3.50"</i>	<i>3.95"</i>	<i>4.79"</i>
<i>CUSH 3 5/8T A2</i>	02080726	<i>3 5/8"</i>	<i>3.62"</i>	<i>4.20"</i>	<i>5.11"</i>
<i>CUSH 4T A2</i>	02080727	<i>4"</i>	<i>4.00"</i>	<i>4.45"</i>	<i>5.11"</i>
<i>CUSH 4 1/8T A2</i>	02080728	<i>4 1/8"</i>	<i>4.12"</i>	<i>4.57"</i>	<i>5.54"</i>
<i>CUSH 4 1/2T A2</i>	02080729	<i>4 1/2"</i>	<i>4.50"</i>	<i>4.95"</i>	<i>5.92"</i>
<i>CUSH 5 1/8T A2</i>	02080730	<i>5 1/8"</i>	<i>5.12"</i>	<i>5.57"</i>	<i>6.54"</i>
<i>CUSH 6T A2</i>	02080731	<i>6"</i>	<i>6.12"</i>	<i>6.57"</i>	<i>7.54"</i>
<i>CUSH 6 1/8T A2</i>	02080732	<i>6 1/8"</i>	<i>6.12"</i>	<i>6.57"</i>	<i>7.54"</i>
<i>CUSH 1/4P A2</i>	02080733	<i>1/4"</i>	<i>0.54"</i>	<i>0.98"</i>	<i>1.34"</i>
<i>CUSH 3/8P A2</i>	02080734	<i>3/8"</i>	<i>0.67"</i>	<i>1.13"</i>	<i>1.54"</i>
<i>CUSH 1/2P A2</i>	02080735	<i>1/2"</i>	<i>0.84"</i>	<i>1.29"</i>	<i>1.82"</i>
<i>CUSH 3/4P A2</i>	02080736	<i>3/4"</i>	<i>1.05"</i>	<i>1.57"</i>	<i>2.08"</i>
<i>CUSH 1P A2</i>	02080737	<i>1"</i>	<i>1.31"</i>	<i>1.76"</i>	<i>2.34"</i>
<i>CUSH 1 1/4P A2</i>	02080738	<i>1 1/4"</i>	<i>1.66"</i>	<i>2.17"</i>	<i>2.73"</i>
<i>CUSH 1 1/2P A2</i>	02080739	<i>1 1/2"</i>	<i>1.90"</i>	<i>2.35"</i>	<i>2.86"</i>
<i>CUSH 2P A2</i>	02080740	<i>2"</i>	<i>2.37"</i>	<i>2.82"</i>	<i>3.67"</i>
<i>CUSH 2 1/2P A2</i>	02080741	<i>2 1/2"</i>	<i>2.87"</i>	<i>3.32"</i>	<i>4.17"</i>
<i>CUSH 3P A2</i>	02080742	<i>3"</i>	<i>3.50"</i>	<i>3.95"</i>	<i>4.79"</i>
<i>CUSH 3 1/2P A2</i>	02080743	<i>3 1/2"</i>	<i>4.00"</i>	<i>4.45"</i>	<i>5.11"</i>
<i>CUSH 4P A2</i>	02080744	<i>4"</i>	<i>4.50"</i>	<i>4.95"</i>	<i>5.92"</i>
<i>CUSH 5P A2</i>	02080745	<i>5"</i>	<i>5.56"</i>	<i>6.01"</i>	<i>6.92"</i>
<i>CUSH 6P A2</i>	02080746	<i>6"</i>	<i>6.62"</i>	<i>7.07"</i>	<i>8.23"</i>

Dimensions are for general information only, all critical dimensions should be verified by requesting a certified print. Dimensions are in inches/(mm) and lbs./kg.

*Model Codes containing selections listed in RED italics are non-standard items – Minimum quantities will apply – Contact HYDAC for information and availability
Not all combinations are available*