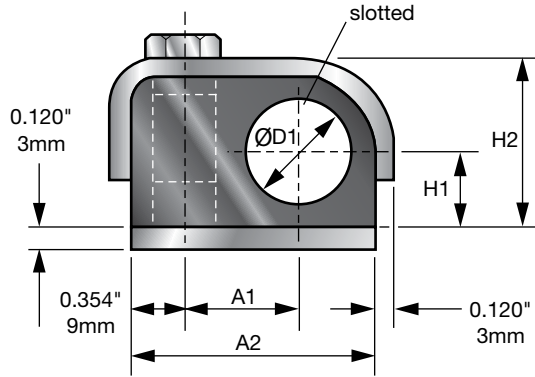


HRBGS Series Buegu Clamps



Dimensions

Size: 0A & 0B



Description

Buegu clamps are ideal for mobile applications where space is limited. They absorb shock and vibration, and reduce noise.

Features

- Low Profile Design
- Shock and vibration reduction
- Easy installation

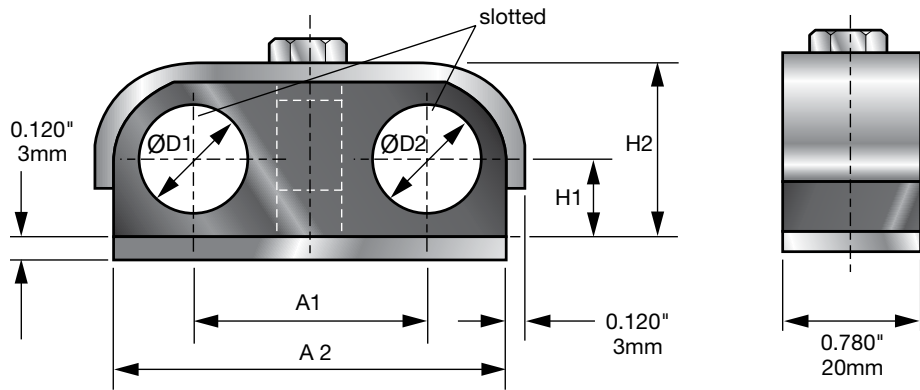
Materials

- Stirrup & Weld Plate - carbon steel
- Clamp Body - thermoplastic elastomer (Santoprene TPE 73)

Temp Specifications

- -40° to 257°F (-40° to 125°C)

Size: 1 and 2



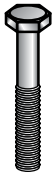
Clamp Size	Tube Size	Pipe Size	Bore Diameter ¹				Clamp Assembly Model Code	Part No.	Dimensions				Hex Head Bolt		
			in	mm	in	mm			A ₁	A ₂	H ₁	H ₂			
0A	1/4"	-	0.250	6.4	-	-	<i>HRBGS 0A A 6.4 STM</i>	<i>02063638</i>	mm	15	34	10	23	M6 x 25	
	3/8"	-	0.375	9.5	-	-	<i>HRBGS 0A A 9.5 STM</i>	<i>02063639</i>		in	0.59	1.34	0.39		0.91
	-	1/8"	0.394	10.0	-	-	<i>HRBGS 0A A 10.0 STM</i>	<i>02063640</i>							
0B	1/2"	-	0.500	12.7	-	-	<i>HRBGS 0B A 12.7 STM</i>	<i>02063641</i>	mm	18	39	12	27		
	-	1/4"	0.540	13.7	-	-	<i>HRBGS 0B A 13.7 STM</i>	<i>02063642</i>							
	5/8"	-	0.625	16.0	-	-	<i>HRBGS 0B A 16.0 STM</i>	<i>02063643</i>	in	0.71	1.54	0.47	1.06		
	-	3/8"	0.675	17.1	-	-	<i>HRBGS 0B A 17.1 STM</i>	<i>02063644</i>							
	3/4"	-	0.750	19.0	-	-	<i>HRBGS 0B A 19.0 STM</i>	<i>02063645</i>							
1	1/4"	-	0.250	6.4	0.250	6.4	<i>HRBGS 1 A 6.4-6.4 STM</i>	<i>02063646</i>	mm	30	50	10	23		
	3/8"	-	0.375	9.5	0.375	9.5	<i>HRBGS 1 A 9.5-9.5 STM</i>	<i>02063647</i>							
	-	1/8"	0.394	10.0	0.394	10.0	<i>HRBGS 1 A 10-10 STM</i>	<i>02063648</i>	in	1.18	1.97	0.39	0.91		
	1/2"	-	0.500	12.7	0.500	12.7	<i>HRBGS 1 A 12.7-12.7 STM</i>	<i>02063649</i>							
2	5/8"	-	0.625	16.0	0.625	16.0	<i>HRBGS 2 A 16-16 STM</i>	<i>02063650</i>	mm	35	59	12	27		
	-	3/8"	0.675	17.1	0.675	17.1	<i>HRBGS 2 A 17.1-17.1 STM</i>	<i>02063651</i>							
	3/4"	-	0.750	19.0	0.750	19.0	<i>HRBGS 2 A 19-19 STM</i>	<i>02063652</i>	in	1.38	2.32	0.47	1.06		

1) Consult Factory for sizes 1 and 2 with different bore diameters

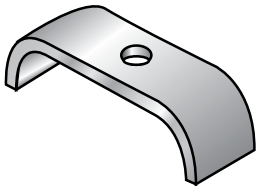
Dimensions are for general information only, all critical dimensions should be verified by requesting a certified print. Dimensions are in inches/(mm) and lbs/(kg.)

*Model Codes containing selections listed in RED italics are non-standard items – Minimum quantities will apply – Contact HYDAC for information and availability
Not all combinations are available*

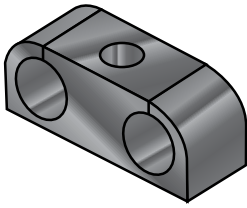
Buegu Clamp Parts



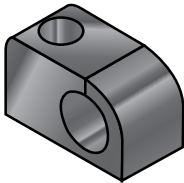
Hex Head Bolt



BUE = Stirrup



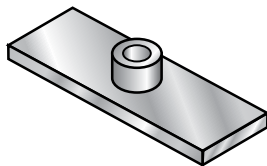
Size 1,2



Size 0
GT = Rubber Body



HUE = Sleeve



AP = Weld Plate

Hex Head Bolt for use with Weld Plate		
Sizes	Model Code	Part Number
0A, 0B, 1, 2	SCREW H M6x25-8.8 DIN933	02700852

BUE = Stirrup		
Sizes	Model Code	Part Number
0A	HRBGS 0A BUE ST ZN	00263306
0B	HRBGS 0B BUE ST ZN	00263307
1	HRBGS 1 BUE ST ZN	00263316
2	HRBGS 2 BUE ST ZN	00263309

Clamp Size	Bore Diameter ¹				GT = Clamp Body Model Code	Part No.
	øD1		øD2			
	in	mm	in	mm		
0A	0.250	6.4	-	-	<i>HRBGS 0A GT 6.4</i>	<i>00268169</i>
	0.375	9.5	-	-	HRBGS 0A GT 9.5	00268170
	0.394	10.0	-	-	<i>HRBGS 0A GT 10.0</i>	<i>00263296</i>
0B	0.500	12.7	-	-	<i>HRBGS 0B GT 12.7</i>	<i>00268171</i>
	0.540	13.7	-	-	<i>HRBGS 0B GT 13.7</i>	<i>00268172</i>
	0.625	16.0	-	-	<i>HRBGS 0B GT 16.0</i>	<i>00263298</i>
	0.675	17.1	-	-	<i>HRBGS 0B GT 17.1</i>	<i>00268173</i>
	0.750	19.0	-	-	<i>HRBGS 0B GT 19.0</i>	<i>00264713</i>
1	0.250	6.4	0.250	6.4	HRBGS 1 GT 6.4-6.4	00268174
	0.375	9.5	0.375	9.5	HRBGS 1 GT 9.5-9.5	00268175
	0.394	10.0	0.394	10.0	HRBGS 1 GT 10-10	00263313
	0.500	12.7	0.500	12.7	<i>HRBGS 1 GT 12.7-12.7</i>	<i>00264011</i>
2	0.630	16.0	0.625	16.0	HRBGS 2 GT 16-16	00263304
	0.675	17.1	0.675	17.1	<i>HRBGS 2 GT 17.1-17.1</i>	<i>00268176</i>
	0.750	19.0	0.750	19.0	HRBGS 2 GT 19-19	00268177

1) Consult Factory for sizes 1 and 2 with different bore diameters.

HUE = Sleeve for use with Weld Plate		
Sizes	Model Code	Part Number
0A	HRBGS 0A/1 HUE 11.5 ZN	00263418
0B	HRBGS 0B/2 HUE 15.5 ZN	00263419
1	HRBGS 0A/1 HUE 11.5 ZN	00263418
2	HRBGS 0B/2 HUE 15.5 ZN	00263419

HUE = Sleeve for use without Weld Plate		
Sizes	Model Code	Part Number
0A	<i>HRBGS 0A/1 HUE 18 ZN</i>	<i>00263310</i>
0B	HRBGS 0B/2 HUE 22 ZN	00263311
1	<i>HRBGS 0A/1 HUE 18 ZN</i>	<i>00263310</i>
2	HRBGS 0B/2 HUE 22 ZN	00263311

AP = Weld Plate		
Sizes	Model Code	Part Number
0A	<i>HRBGS 0A AP ST M BL VS</i>	<i>03280090</i>
0B	HRBGS 0B AP ST M BL VS	03280089
1	HRBGS 1 AP ST M BL VS	03280087
2	HRBGS 2 AP ST M BL VS	03278493

Dimensions are for general information only, all critical dimensions should be verified by requesting a certified print. Dimensions are in inches/(mm) and lbs/(kg.)

Model Codes containing selections listed in RED italics are non-standard items – Minimum quantities will apply – Contact HYDAC for information and availability
Not all combinations are available