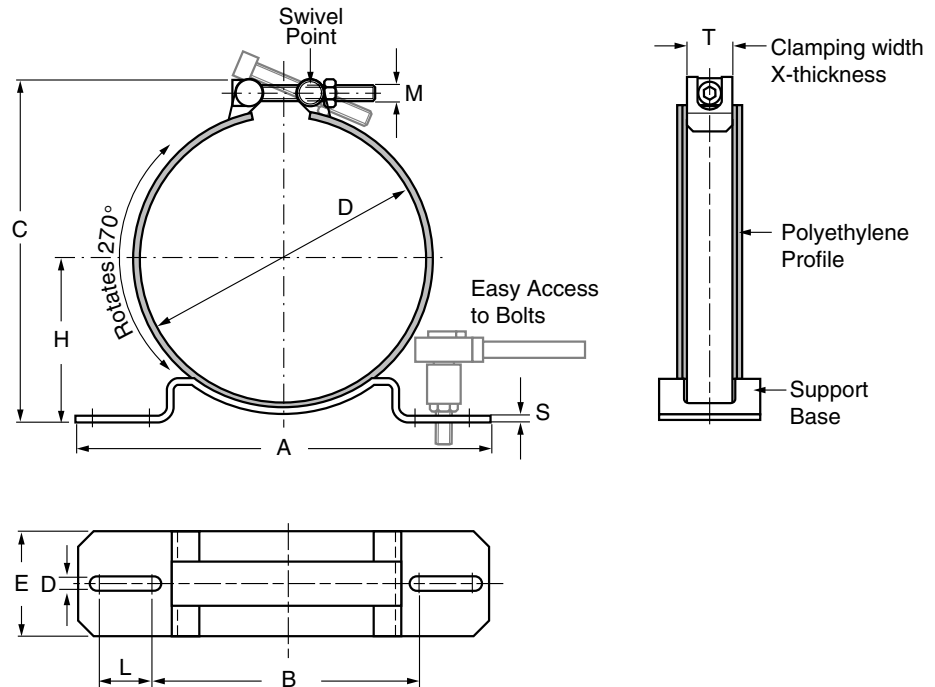


HRGKSM Series Quick Release Swivel Bolt Clamps



Dimensions (continued on next page)



Description

The HRGKS is a clamp designed to mount cylindrical components. It is similar to the HYDAC HYRAC clamp, which is designed for accumulators, with some additional benefits that make it more practical for non-accumulator applications.

Features / Benefits

- Swivel Assembly Provides for simple installation and a tight fit
- Support Base Provides easy access to bolts / unit easy to install
- The clamp rotates ~270° / Easy access
- Polyethylene profile does not compress
- Clamp stays tight over time

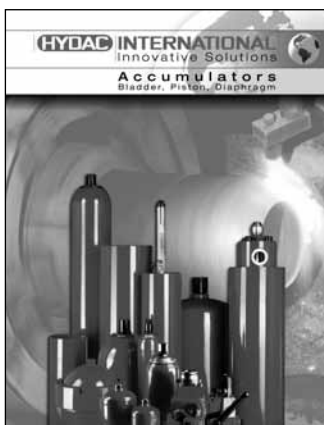
Materials

| Description | Material / Coating |
|---------------------------|--------------------|
| Support Base | Zinc Plated Steel |
| Polyethylene Profile | Polyethylene |
| Quick Release Swivel Bolt | Zinc-Plated Steel |
| Band Strap | Stainless Steel |

HRGKSM vs. HYRAC*

| Difference | HRGKSM | HYRAC |
|----------------------|---------------------|---|
| Profile Material | Polyethylene | Rubber |
| Capability to Rotate | Can be rotated 270° | Fixed at 90 deg |
| Fit in clamp | Component sits flat | Two nubs ensure H dimension is consistent with other HYDAC Accumulator Clamps |

*HYRAC clamp sizes 96-100 and under have the same construction as the HRGKSM Series



For more detailed information on the HYRAC Clamps please refer to the HYDAC Accumulator Catalog

| Model Code | Part No. | C Max | D* | M | T | A | S | L | B | E | d | Wt. |
|---------------------------|----------|-------|---------|-----------|--------|-----|---|----|-----|----|----|------|
| HRGKSM 0 R 40-43/44 ST | 03018436 | 66.5 | 40-43 | M 6 X 50 | 20x0.8 | 120 | 3 | 8 | 85 | 40 | 9 | 0.15 |
| HRGKSM 0 R 44-46/47 ST | 03018437 | 66.5 | 44-46 | | | | | | | | | 0.15 |
| HRGKSM 0 R 47-50/50 ST | 03018439 | 70.5 | 47-50 | | | | | | | | | 0.15 |
| HRGKSM 0 R 51-54/55 ST | 03018440 | 74.5 | 51-54 | | | | | | | | | 0.15 |
| HRGKSM 0 R 55-58/59 ST | 03018441 | 78.5 | 55-58 | | | | | | | | | 0.16 |
| HRGKSM 0 R 58-61/62 ST | 03018442 | 85 | 58-61 | | | | | | | | | 0.16 |
| HRGKSM 0 R 62-65/65 ST | 00444911 | 85 | 62-65 | | | | | | | | | 0.20 |
| HRGKSM 0 R 66-69/69 ST | 03018443 | 89 | 66-69 | | | | | | | | | 0.21 |
| HRGKSM 0 R 70-73/73 ST | 03018444 | 93 | 70-73 | | | | | | | | | 0.21 |
| HRGKSM 0 R 73-76/76 ST | 00444912 | 96 | 73-76 | | | | | | | | | 0.22 |
| HRGKSM 0 R 77-80/80 ST | 03018445 | 100 | 77-80 | | | | | | | | | 0.22 |
| HRGKSM 0 R 81-84/85 ST | 03018446 | 104 | 81-84 | | | | | | | | | 0.23 |
| HRGKSM 0 R 85-88/89 ST | 03018447 | 108 | 85-88 | | | | | | | | | 0.23 |
| HRGKSM 0 R 89-92/93 ST | 00444913 | 112 | 89-92 | | | | | | | | | 0.24 |
| HRGKSM 0 R 92-95/96 ST | 00444995 | 115 | 92-95 | | | | | | | | | 0.24 |
| HRGKSM 0 R 96-100/100 ST | 00444953 | 120 | 96-100 | | | | | | | | | 0.24 |
| HRGKSM 1 R 101-109/106 ST | 00444827 | 137 | 101-109 | M 8 X 80 | 25x1.0 | 156 | 3 | 18 | 100 | 50 | 9 | 0.34 |
| HRGKSM 1 R 110-118/115 ST | 00444584 | 146 | 110-118 | | | | | | | | | 0.35 |
| HRGKSM 1 R 119-127/124 ST | 00444505 | 154 | 119-127 | | | | | | | | | 0.36 |
| HRGKSM 1 R 128-136/133 ST | 03013551 | 163 | 128-136 | | | | | | | | | 0.37 |
| HRGKSM 1 R 137-145/142 ST | 00444653 | 172 | 137-145 | | | | | | | | | 0.38 |
| HRGKSM 1 R 146-154/151 ST | 00444321 | 181 | 146-154 | | | | | | | | | 0.39 |
| HRGKSM 1 R 150-158/154 ST | 00444399 | 181 | 150-158 | | | | | | | | | 0.39 |
| HRGKSM 1 R 155-163/160 ST | 00444940 | 190 | 155-163 | | | | | | | | | 0.40 |
| HRGKSM 1 R 164-172/169 ST | 03008433 | 190 | 164-172 | | | | | | | | | 0.40 |
| HRGKSM 2 R 163-171/169 ST | 00444400 | 200 | 163-175 | M 8 X 80 | 25x1.0 | 236 | 3 | 32 | 152 | 60 | 9 | 0.57 |
| HRGKSM 2 R 167-175/173 ST | 00444401 | 204 | 167-175 | | | | | | | | | 0.58 |
| HRGKSM 2 R 172-180/178 ST | 00444402 | 209 | 172-180 | | | | | | | | | 0.58 |
| HRGKSM 2 R 181-192/187 ST | 00444467 | 217 | 181-192 | | | | | | | | | 0.59 |
| HRGKSM 2 R 186-194/192 ST | 00444403 | 222 | 186-194 | | | | | | | | | 0.60 |
| HRGKSM 2 R 199-207/205 ST | 00444433 | 235 | 199-207 | | | | | | | | | 0.61 |
| HRGKSM 2 R 208-216/214 ST | 03132903 | 243 | 208-216 | | | | | | | | | 0.62 |
| HRGKSM 2 R 217-225/223 ST | 03001691 | 252 | 217-225 | | | | | | | | | 0.63 |
| HRGKSM 2 R 226-234/231 ST | 03001914 | 261 | 226-234 | | | | | | | | | 0.64 |
| HRGKSM 3 R 235-246/243 ST | 00444379 | 279 | 235-246 | M 10 X 90 | 30x1.0 | 300 | 4 | 32 | 214 | 60 | 11 | 0.97 |
| HRGKSM 3 R 248-259/256 ST | 00444410 | 292 | 248-259 | | | | | | | | | 0.99 |
| HRGKSM 3 R 261-272/269 ST | 00444917 | 304 | 261-272 | | | | | | | | | 1.00 |
| HRGKSM 3 R 268-279/276 ST | 00444835 | 309 | 268-279 | | | | | | | | | 1.01 |
| HRGKSM 3 R 274-285/282 ST | 00444585 | 317 | 274-285 | | | | | | | | | 1.02 |
| HRGKSM 3 R 287-298/295 ST | 00444826 | 295 | 287-298 | | | | | | | | | 1.03 |
| HRGKSM 3 R 293-304/301 ST | 03083992 | 330 | 293-304 | | | | | | | | | 1.04 |
| HRGKSM 3 R 300-311/308 ST | 00444411 | 342 | 300-311 | | | | | | | | | 1.05 |
| HRGKSM 3 R 313-324/321 ST | 00444819 | 355 | 313-324 | | | | | | | | | 1.06 |
| HRGKSM 3 R 326-337/334 ST | 00444923 | 368 | 326-337 | | | | | | | | | 1.08 |
| HRGKSM 4 R 339-350/347 ST | 03025962 | 385 | 339-350 | M 10 X 90 | 30x1.5 | 400 | 4 | 32 | 314 | 60 | 11 | 1.47 |
| HRGKSM 4 R 343-354/351 ST | 03066064 | 385 | 343-354 | | | | | | | | | 1.48 |
| HRGKSM 4 R 352-363/360ST | 00444795 | 398 | 352-363 | | | | | | | | | 1.49 |
| HRGKSM 4 R 378-389/386 ST | 00444760 | 424 | 378-389 | | | | | | | | | 1.52 |
| HRGKSM 4 R 391-402/399 ST | 00444506 | 435 | 391-402 | | | | | | | | | 1.54 |
| HRGKSM 4 R 404-415-412 ST | 00444924 | 448 | 404-415 | | | | | | | | | 1.56 |
| HRGKSM 4 R 417-428/425 ST | 00444857 | 461 | 417-428 | | | | | | | | | 1.58 |
| HRGKSM 4 R 430-441/438 ST | 03187768 | 474 | 430-441 | | | | | | | | | 1.60 |
| HRGKSM 4 R 443-454-451 ST | 03010052 | 485 | 443-454 | | | | | | | | | 1.62 |

*Diameter range is noted in the model code. Example: HRGKSM 0 R 40-43/44 ST.
 Dimensions are for general information only, all critical dimensions should be verified by requesting a certified print. Dimensions are in millimeters and kilograms.
Model Codes containing selections listed in RED italics are non-standard items - Minimum quantities will apply - Contact HYDAC for information and availability
 Not all combinations are available