



## LPF 160-280 Series

### NEW Improved Design!

HYDAC is pleased to announce the release of the new and improved low-pressure LPF Filter Series 160-280. This filter, featuring a new one-piece bowl design, offers a maximum operating pressure of 725 psi (50 bar).

The release date is April 2009. This one-piece design improvement will ultimately be carried out across the entire LPF line. The new model type code will change slightly, with **Type Number** changing from **1** to **8**.

#### How will our customers benefit from the new design?

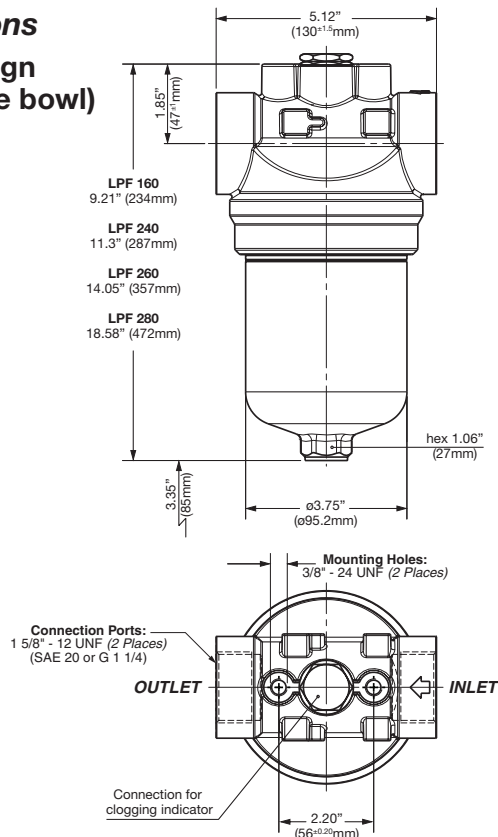
- Reduction of inventory - components are consistent across entire LPF product line
- Quality Protection Advantage (*available as an option*) - secures spare parts business
- All aluminum construction – no painting required
- Corrosion-resistant – all aluminum construction
- Increase in clogging indicator options, including the cost-effective model BF
- 30% weight reduction
- Completely drainable

A new LPF brochure will be available on the HYDAC website in April. However, you may begin to review dimensional changes on the drawing below. This drawing is suitable for release to customers. HYDAC anticipates that this LPF filter design will require submittal approval with some OEMs.

Please share this information with all Field Engineers in your sales office, as well as the customers in your region.

#### Dimensions

##### NEW Design (one-piece bowl)



##### Old Design (two-piece bowl)

