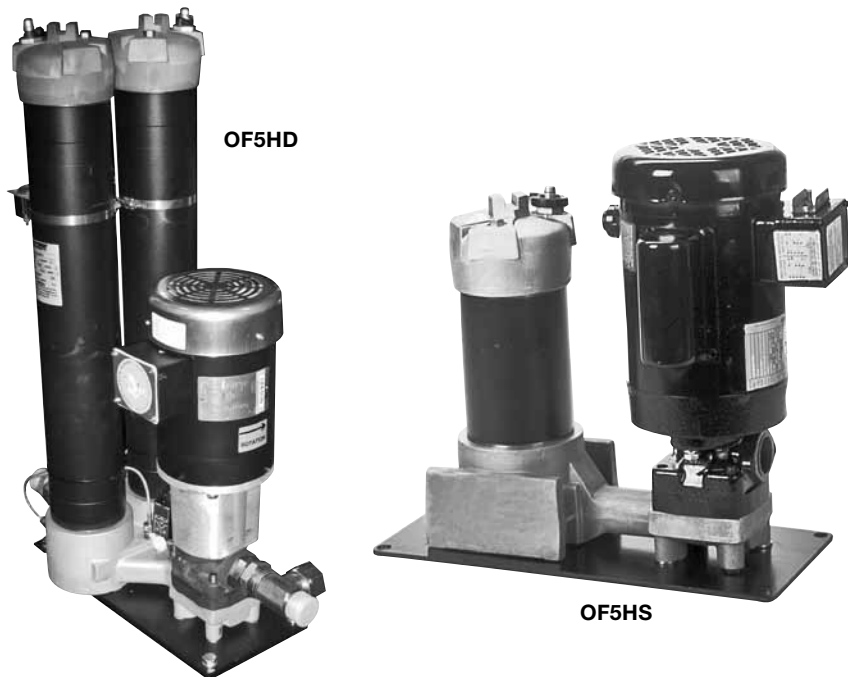


OF5HS & OF5HD Series Single & Dual Stage Kidney Loop Systems



Description

HYDAC's new off-line Kidney Loop System is a stationary version of the Mobile Filtration System. It is a compact, self-contained filtration system equipped with high efficiency, high capacity elements capable of removing particulate contamination and/or water quickly, conveniently and economically. This off-line system can be used to supplement in-line filters when adequate turnover cannot be achieved in the system. It is also ideal for water removal. Like the Mobile Filtration System, the new OF5H Series operates at a surprisingly low noise level. Its modular base eliminates hoses and fittings between components. The OF5HS single filtration unit can remove either water or particulate contamination. The OF5HD dual filtration unit can be used to remove both water and particulate contamination, or for staged particulate contaminant removal.

Features

- Modular base eliminates connections between components and minimizes leakage
- Base-ported filter provides easy element service from the top cap
- Single, double and triple bowl length option allows the flexibility of additional dirt-holding capacity
- Visual Dirt Alarm indicates when filter element needs changed
- Two 7/16 – 20 UNF sampling port included on all models

Applications

- Supplementing in-line filtration by system filters when adequate turnover cannot be attained
- Large volume systems requiring multiple filters in different locations
- Cleaning up a hydraulic system following component replacement
- Ideal location for water removal

Technical Details

Flow Rating	7 gpm max or 14 gpm max
Maximum Viscosity	1000 SUS (216 cSt) Higher viscosity version available.
Maximum Operating Temperature	-20° to 150°F (-29° to 65°C)
Bypass Valve Setting	Cracking: 30 psi (2 bar)
Material	Manifold and cap: Cast aluminum Element case: Steel
Compatibility	All petroleum based hydraulic fluid. Contact factory for use with other fluids.
Motor	115 V AC Single phase 3/4 hp (7 gpm) or 1-1/2 hp (14 gpm)
Weight	OF5HS-1: 101 lb (45.9 kg) OF5HS-2: 112 lb (50.9 kg) OF5HS-3: 123 lb (55.9 kg) OF5HD-1: 117 lb (53.2 kg) OF5HD-2: 139 lb (63.2 kg) OF5HD-3: 161 lb (73.2 kg)

Model Code

OF5HD 1 - 09 - BN 10 - BN 10 - B - 14 -

Series*

- OF5HS = Single Filter System
- OF5HD = Dual Filter System

Number of Elements

- 1, 2 (size 09 only), 3 (size 09 only)

Element Length

- 09 = One 9" elements supplied
- 18 = One 18" elements supplied
- 27 = One 27" elements supplied

Element Media

- BN = Betamicon®
- AM = Aquamicron®

Filtration Rating (micron)

- 3, 5, 10, 25

Element Media

- BN = Betamicon®
- AM = Aquamicron®

Filtration Rating (micron)

- 3, 5, 10, 25

Seals

- B = Buna N
- V = FPM

Pump Size

- 07 = 7 gpm
- 14 = 14 gpm

Options

- xx = High viscosity version (Contact factory for available options.)

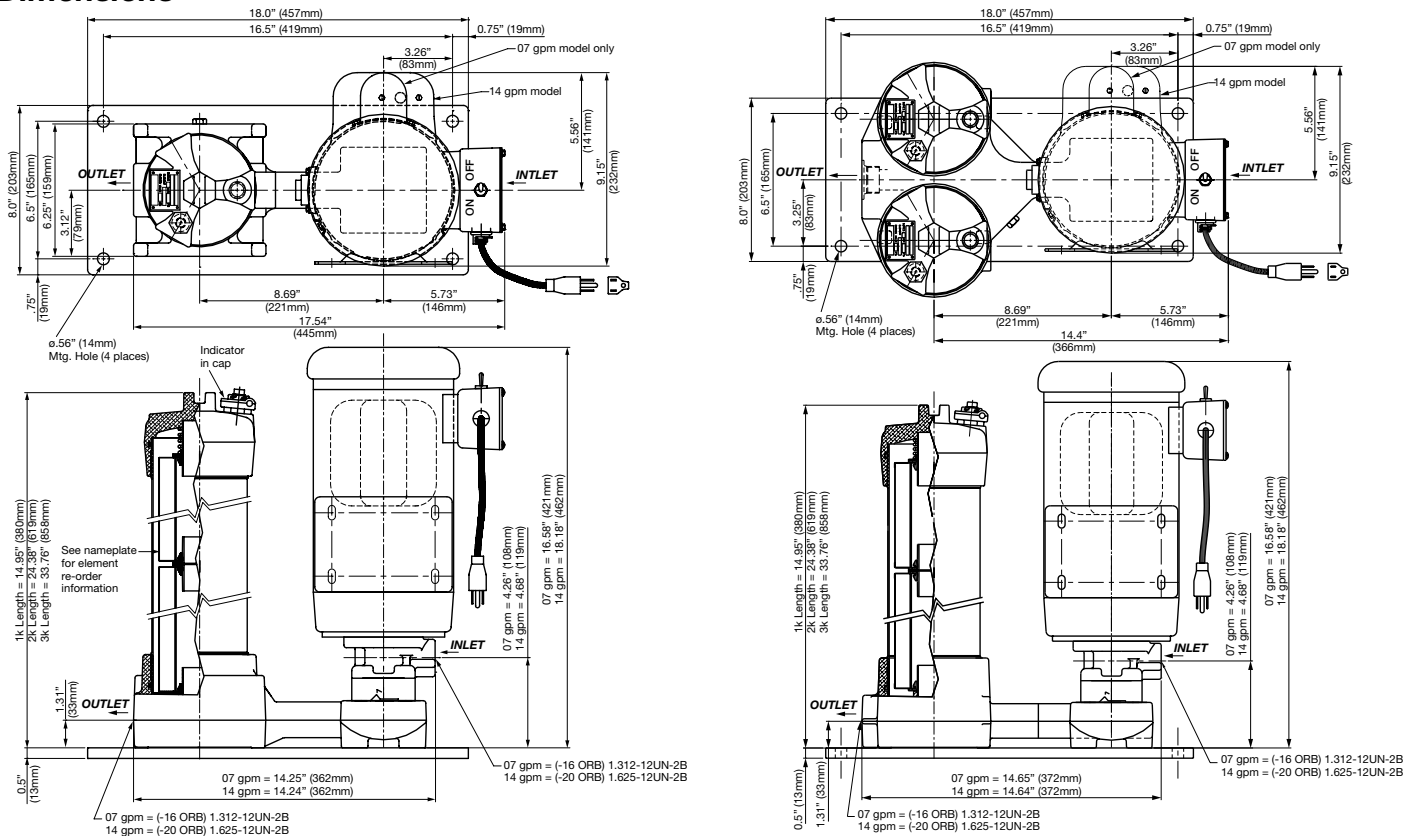
*When OF5HS/OF5HD is ordered, the number of elements, element length and seals will be identical for both filter housings.

Note: Contact factory if EPR seals are required.

For replacement element part numbers, please see page 69 of this catalog.

Model Codes Containing RED are non-standard items – Minimum quantities and longer lead times may apply - Contact HYDAC for information and availability.

Dimensions



Dimensions are for general information only, all critical dimensions should be verified by requesting a certified print.