

OFS Series Filtration Station



Description

The HYDAC Filtration System (OFS) is capable of flushing, filtering, and monitoring ISO cleanliness with user-defined, automatic features. **The OFS is designed to transfer fluid through two filters in series for staged particulate or water/particulate removal.** Both filters are top-loading and include element indicators in the cap. A particle monitor reads samples from the pump discharge and displays ISO contamination codes on the control panel. The monitor allows the user to input the desired ISO cleanliness codes for the fluid. In auto mode, the system will run until the cleanliness codes are reached. Upon reaching the codes, the pump will stop and the cycle complete light will come on. When in manual mode, the system will run continuously and display the ISO codes. A water sensor is available for providing the water saturation of the fluid, both displayed on the control panel.

Features

- Real time monitoring of ISO cleanliness classes
- Automatic shutdown when user defined ISO codes are reached
- USB port allows the ISO code data to be downloaded for further processing and/or printing
- 30 mesh suction strainer and 230 micron filter and included to protect the particle monitor from clogging
- The AS1000 allows real-time water saturation and temperature values of the fluid to be displayed
- Bypass valve so cart can be used as a transfer cart
- Single lift point
- Plastic removable drip pan

Applications

- **In-Plant Service** – Filter to desired cleanliness levels and extend component life
- **Mobile Dealer Networks** – Aid in certified re-builds, service maintenance contracts and total maintenance & repair programs
- **Original Equipment Manufacturer** – Filter to required roll-off cleanliness levels
- **Lubricant Reclamation/Recycling** – Clean oil to extend oil life and reduce hazardous waste

Technical Details

Flow Rating	9 gpm (AC option); 3-8 gpm (DC option)
Motor	1 1/2 HP, 115/220VAC motor (AC option) 1 HP, 90VDC Variable speed (DC option)
Viscosity	1000 SUS (230cSt)
Operating Temperature	-20° F to 150° F (-29° C to 65° C)
Bypass Valve Setting	Cracking: 30 psi (2 bar) x 2
Compatibility	All petroleum based hydraulic fluid. (Contact factory for use with other fluids.)
Element Change Clearance	9", 18" or 27" (depending on model configuration)
Weight	245 lbs (112 kg)

Element Performance

Micron Rating	Filtration Rating per ISO 4572/NFPA T3.10.8.8 <i>Using automated particle counter (APC) calibrated per ISO 4402</i>			Filtration Rating wrt ISO 16889 <i>Using APC calibrated per ISO 11171</i>	
	Bx≥75	Bx≥100	Bx≥200	Bx≥200	Bx≥1000
5	2.5	3.0	4.0	4.8	6.3
10	7.4	8.2	10.0	8.0	10.0
25	18.0	20.0	22.5	19.0	24.0

Dirt Holding Capacity

9" Element Micron Rating	DHC(gm)	18" Element Micron Rating	DHC(gm)
5	119	5	238
10	108	10	216
25	93	25	186

Model Code

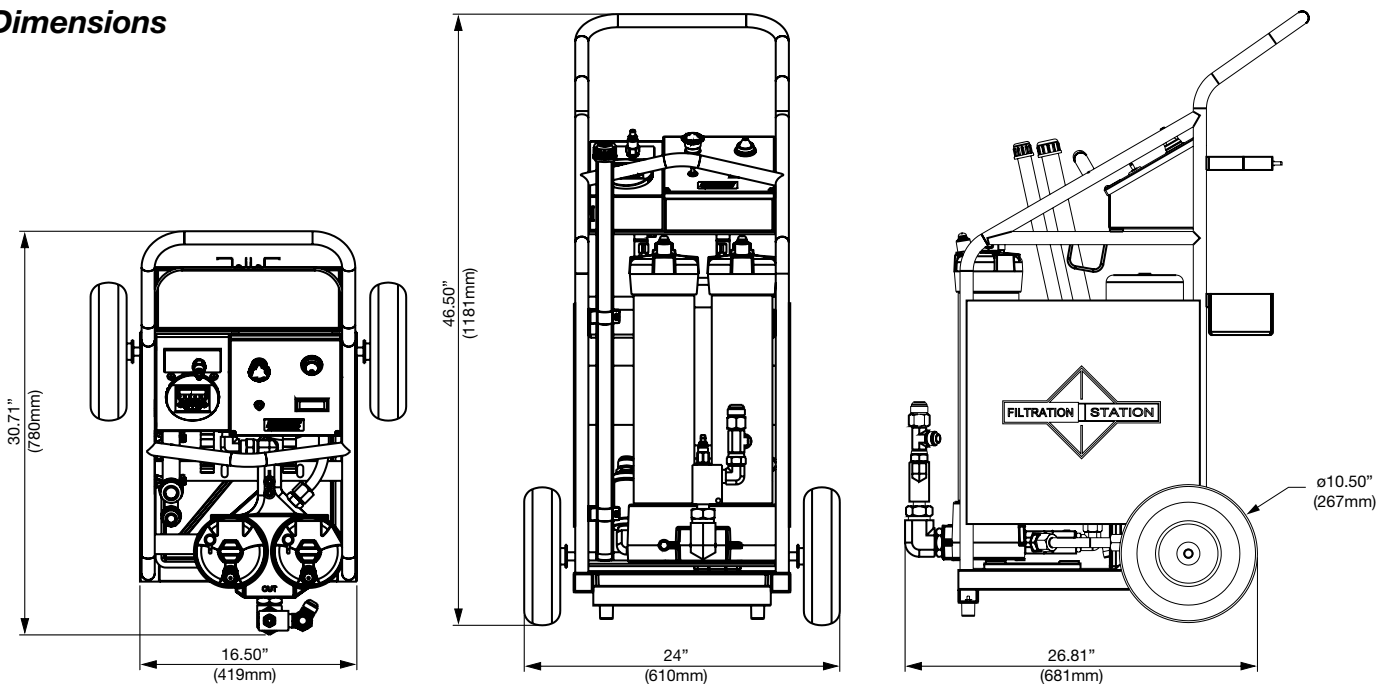
OFS - A - 1 - 09 - BN - 01 - BN - 01 - V - 9 - W

Series	_____		OFS	-	A	-	1	-	09	-	BN	-	01	-	BN	-	01	-	V	-	9	-	W
OFS	=	Filtration Station																					
Voltage	_____		A	=	120VAC 60 Hz																		
	_____		B	=	220 VAC 60 Hz																		
	_____		C	=	220 VAC 50 Hz																		
<i>(A plug is not provided for these options.)</i>																							
Number of Elements	_____		<i>(18" and 27" housings only)</i>																				
1	=	Element length must be either 18" or 27"																					
2	=	Two 9" elements per 18" housing																					
3	=	Three 9" elements per 27" housing																					
Element Length	_____		<i>(18" and 27" housings only)</i>																				
09	=	Two 9" elements per 18" housing																					
	=	Three 9" elements per 27" housing																					
18	=	One 18" element per 18" housing																					
27	=	One 27" element per 27" housing																					
Element Media	_____		BN	=	Betamicron®																		
	_____		AM	=	Aquamicon®																		
Filtration Rating	_____		<i>(BN only) (microns)</i>																				
01, 03, 05, 10, 25																							
Element Media	_____		BN	=	Betamicron®																		
	_____		AM	=	Aquamicon®																		
Filtration Rating	_____		<i>(BN only) (microns)</i>																				
01, 03, 05, 10, 25																							
Seals	_____		V	=	Fluoroelastomer (FPM)																		
	_____		B	=	Buna N																		
Pump Size	_____		<i>(gpm)</i>																				
9	= Gear Pump, 9 gpm																						
DC	= DC Drive, variable flow, 3-8 gpm																						
Options	_____		W	=	AS1000 Water Sensor																		
	_____		X	=	Omit AS1000 Water Sensor																		

For replacement element part numbers, please see page 69 of this catalog

Model Codes Containing RED are non-standard items – Minimum quantities and longer lead times may apply - Contact HYDAC for information and availability.

Dimensions



Dimensions are for general information only, all critical dimensions should be verified by requesting a certified print.