

## KHF3 Series Direct Mount SAE Flange 2 1/2" to 4"



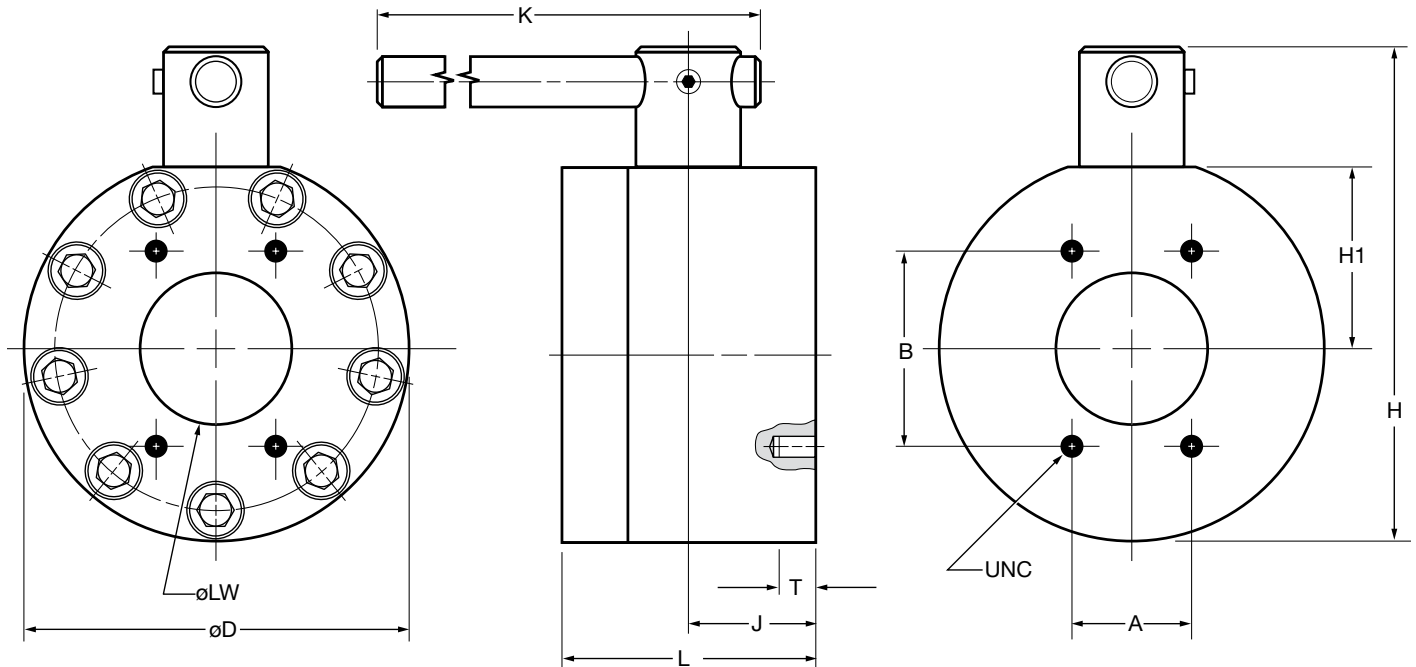
### Features

- Compact, space saving design
- Full passage for unrestricted flow of medium
- Floating ball provides positive seal
- Phosphate coated valve body
- Individually tested for leakage free performance

### Specifications

- Connection: Bolt pattern fits code 61 SAE flanges
- Operating Pressure: to 2500 psi
- Ball Seal Material: Polyacetal
- O-ring Material: Fluoroelastomer (FPM)
- Housing Material: Carbon Steel
- Temperature Range: 14° to 176°F

### Dimensions



Size	Model Code	$\phi LW$	L	J	H1	H	$\phi D$	A	B	UNC	T	K	MAWP (psi)*	Weight
2 1/2"	<b>KHF3-065-1114-05X-UNC</b>	2.48	5.90	2.95	3.70	10.8	7.80	2.00	3.50	1/2"-13UNC	0.75	36	2500	73
3"	<b>KHF3-080-1114-05X-UNC</b>	2.99	5.51	2.76	4.09	11.4	8.27	2.44	4.19	5/8"-11UNC	0.95	36	2000	88
4"	<b>KHF3-100-1114-05X-UNC</b>	3.94	6.69	3.35	4.80	13.1	10.16	3.06	5.13	5/8"-11UNC	0.95	36	500	132

\* Pressure rating listed is valve pressure only. Pressure ratings for available flanges may be less.

Consult flange manufacturer and ISO 6162 for flange pressure rating.

Dimensions are for general information only, all critical dimensions should be verified by requesting a certified print.

Dimensions are in inches and lbs.

*Model Codes containing selections listed in RED are non-standard items – Minimum quantities will apply – Contact HYDAC for information and availability  
Not all combinations are available*