

## KHNVN Series Low Pressure Stainless Steel



### Description

The KHNVN Series manual ball valves are full port, 316 stainless steel, NPT threaded manual ball valves. They are equipped with a manual handle with a locking device.

### Features

- Full port ball drilling for unrestricted flow
- Investment cast 2-piece SS body
- Blow-out proof stem
- Compact assembly
- Locking device

### Materials of Construction

#### Body & End Cap

- ASTM A351 Cast SS Grade CF8M

#### Stem Seals

- PTFE

#### Seats:

- PTFE

#### Ball & Stem:

- 316 SS

#### Stem Nut & Washer:

- 304 SS

#### Handle & Locking Device:

- 304 SS

#### Handle Sleeve:

- Vinyl

### Specifications

#### Max. Temperature:

- 400°F

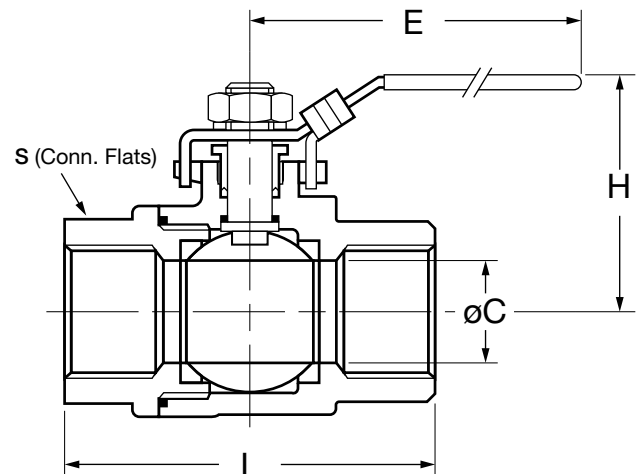
#### Max. Pressure:

- 1000 psig (up to 100°F)
- 2000 psig available (Contact HYDAC for details)

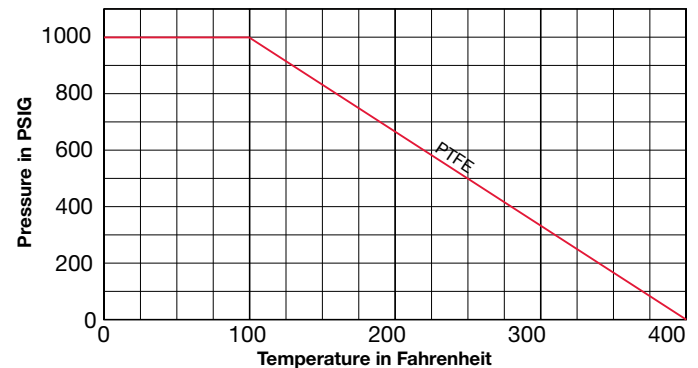
### End Connections

- NPT Threaded (female)

### Dimensions



### Pressure vs. Temperature Curve



Size	Model Code	DN	øC	E	H	L	S	Weight (lbs.)
1/4"	KHNVN-1/4 NPT-3333	02089401	0.45	3.90	2.03	1.91	0.83	0.54
3/8"	KHNVN-3/8 NPT-3333	02089402	0.49	3.90	2.03	1.91	0.83	0.51
1/2"	KHNVN-1/2 NPT-3333	02089403	0.59	4.13	2.09	2.20	1.06	0.74
3/4"	KHNVN-3/4 NPT-3333	02089404	0.79	4.13	2.20	2.56	1.28	0.98
1"	KHNVN-1 NPT-3333	02089405	0.98	4.76	2.60	2.95	1.57	1.51
1 1/4"	KHNVN-1-1/4 NPT-3333	02089406	1.26	5.39	2.91	3.43	1.89	2.38
1 1/2"	KHNVN-1-1/2 NPT-3333	02089407	1.50	6.30	3.27	3.86	2.13	3.75
2"	KHNVN-2 NPT-3333	02089408	1.97	7.48	3.62	4.92	2.68	6.39

Dimensions are for general information only, all critical dimensions should be verified by requesting a certified print. Dimensions are in inches/(mm) and lbs./(kg.)